

1

2

3

4

A

A

B

B

C

C

D

D

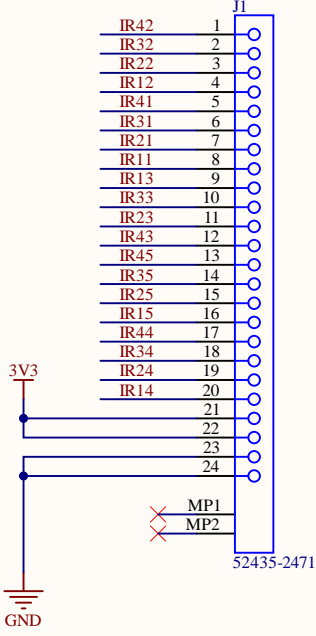
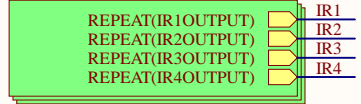
1

2

3

4

REPEAT(U\_4xIR\_QRE1113,1,5)  
4xIR\_QRE1113.SchDoc



1

2

3

4

A

A

B

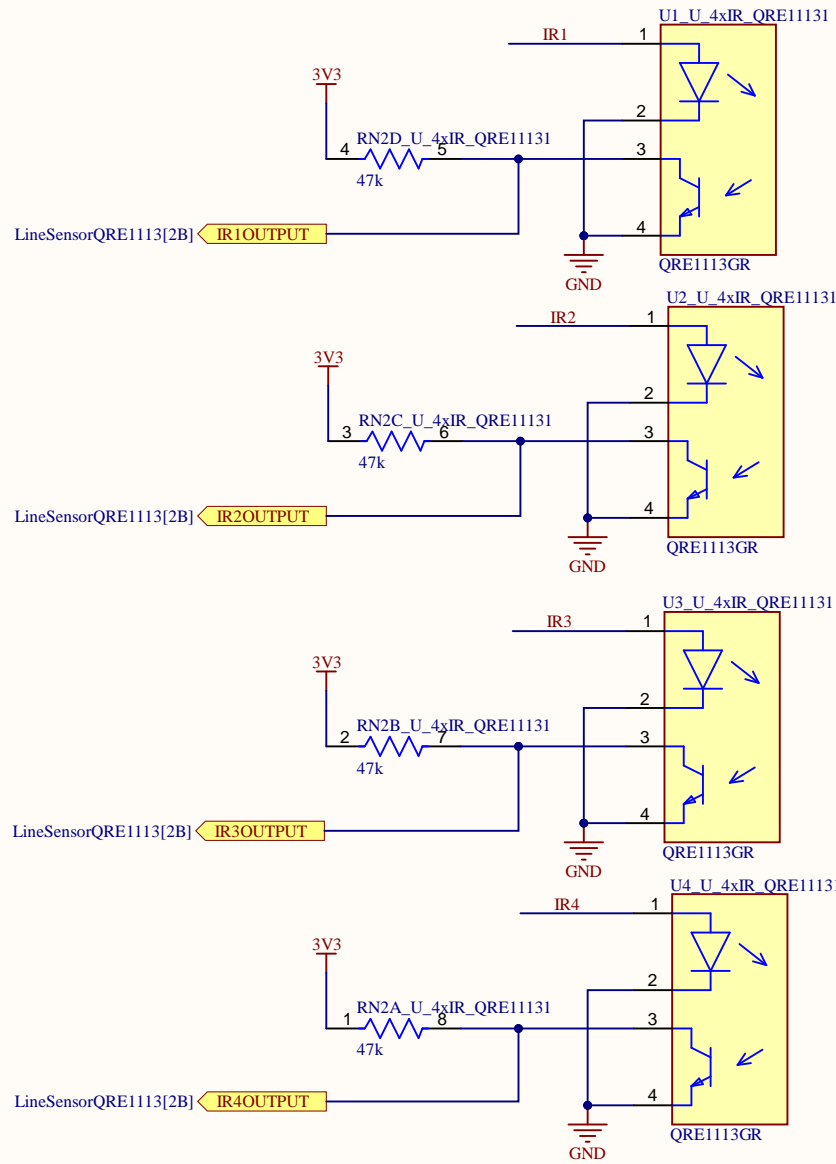
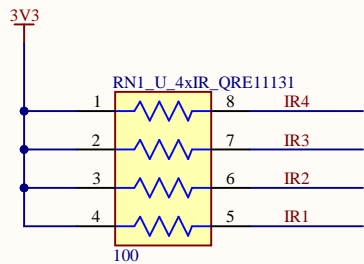
B

C

C

D

D



1

2

3

4

1

2

3

4

A

A

B

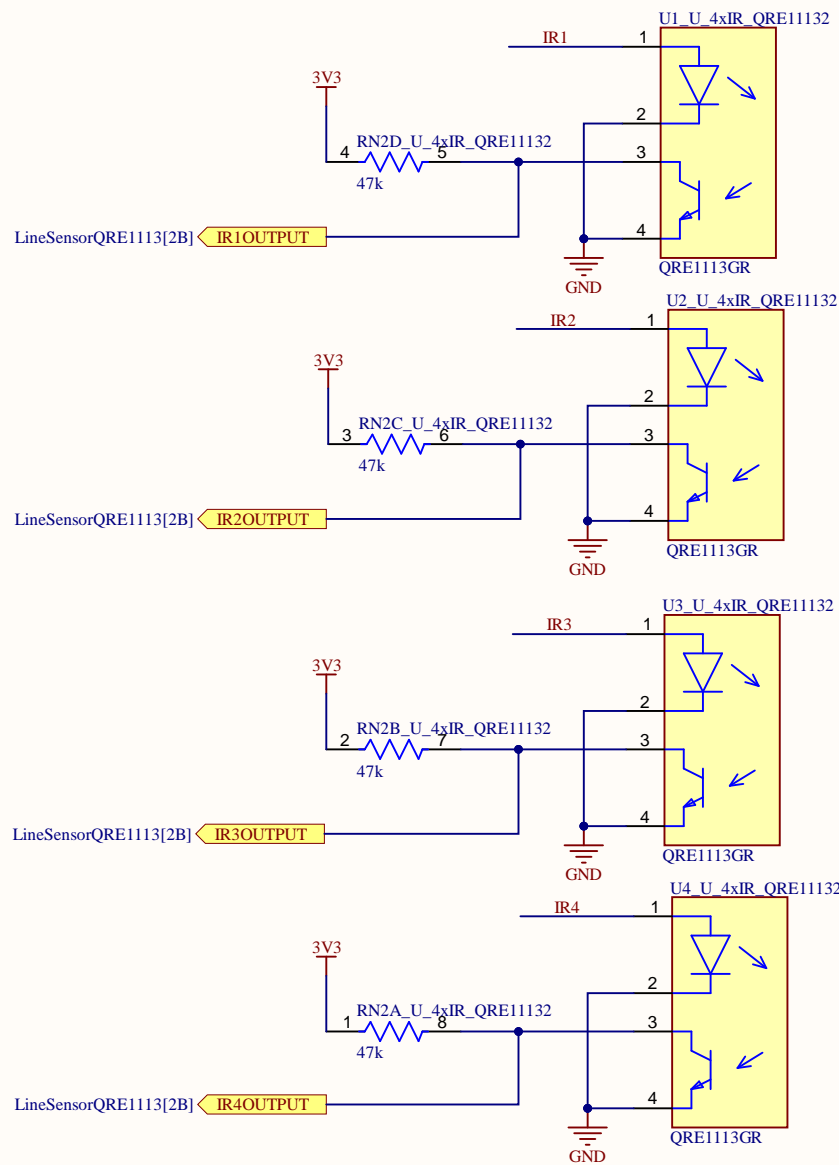
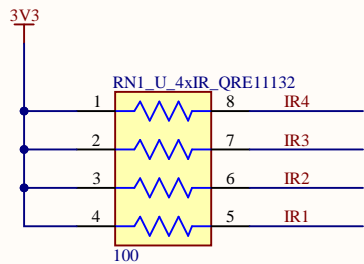
B

C

C

D

D



1

2

3

4

1

2

3

4

A

A

B

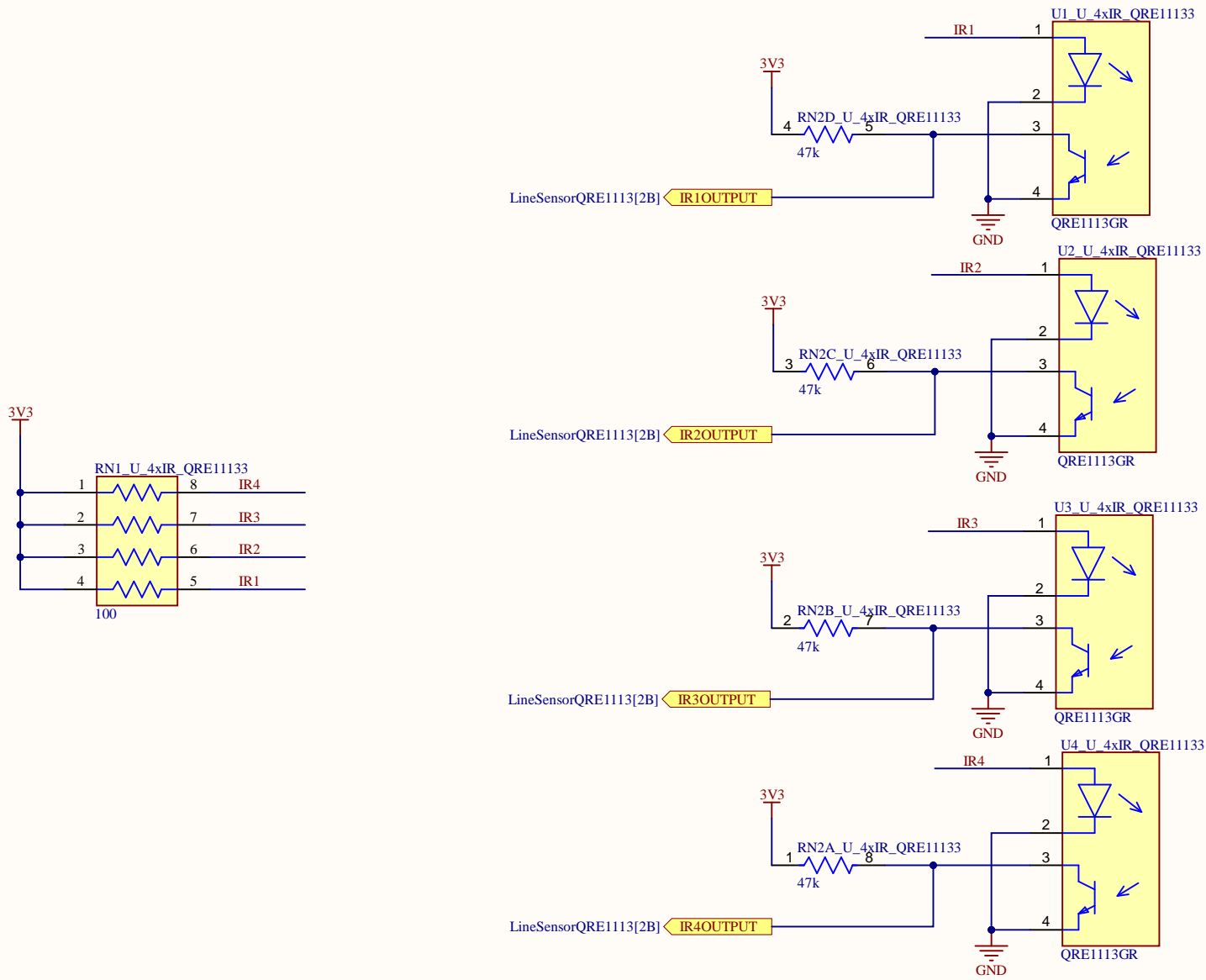
B

C

C

D

D



1

2

3

4

1

2

3

4

A

A

B

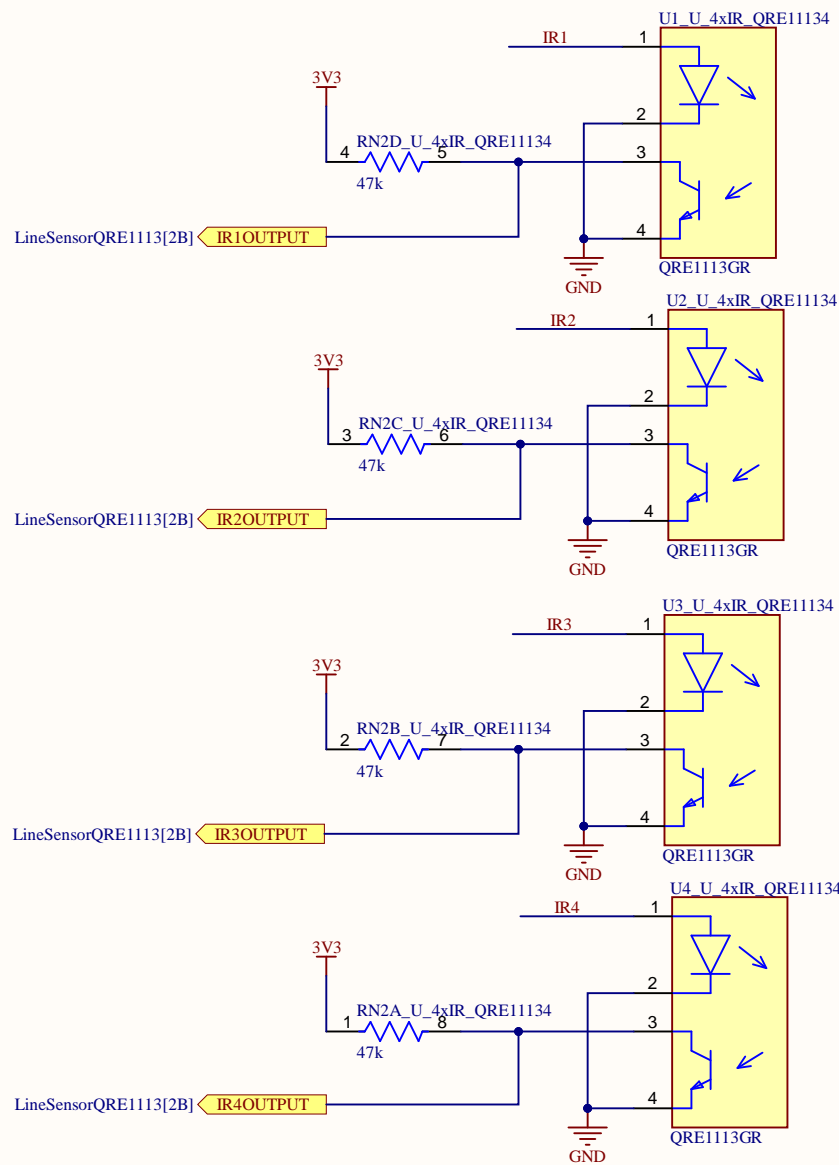
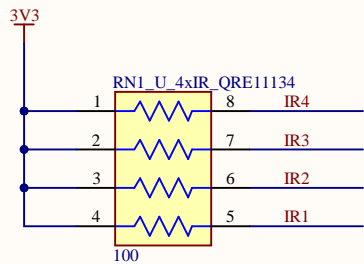
B

C

C

D

D



1

2

3

4

1

2

3

4

A

A

B

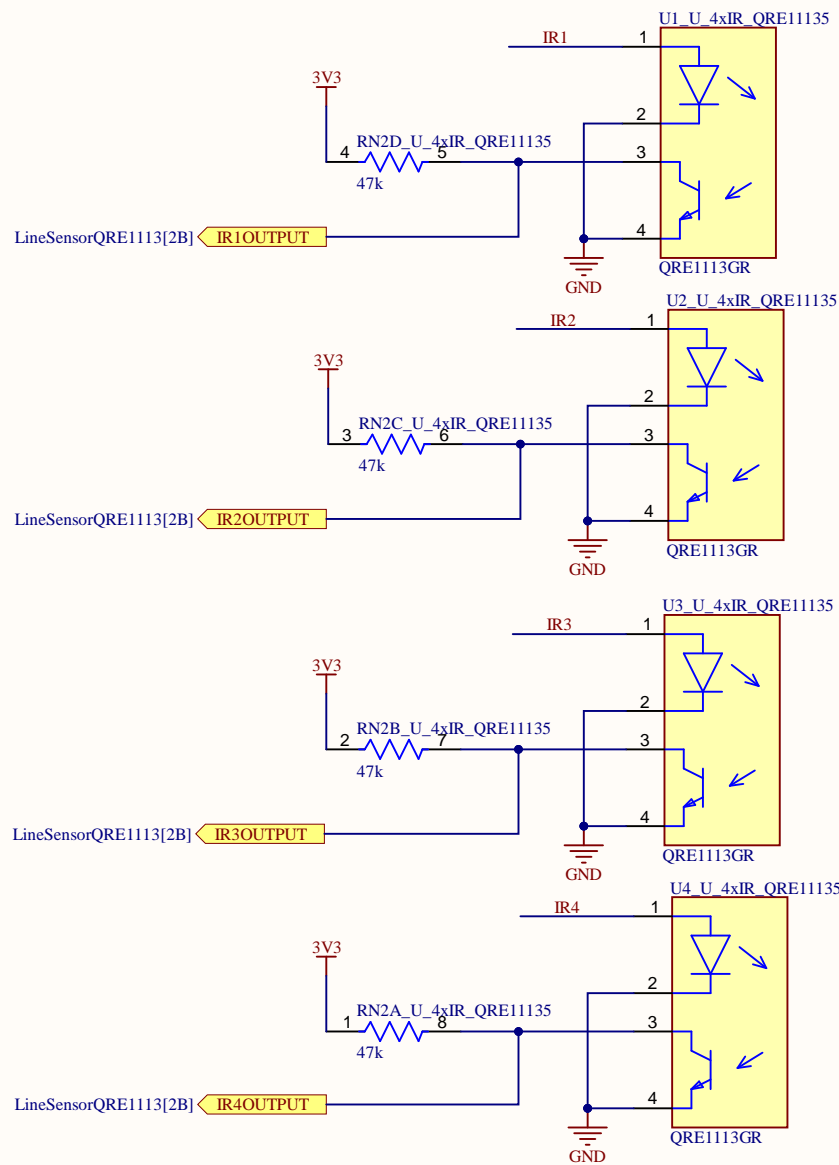
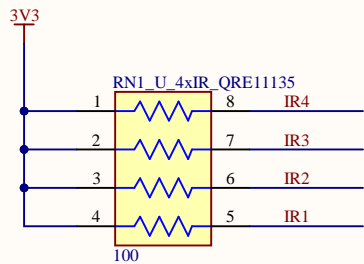
B

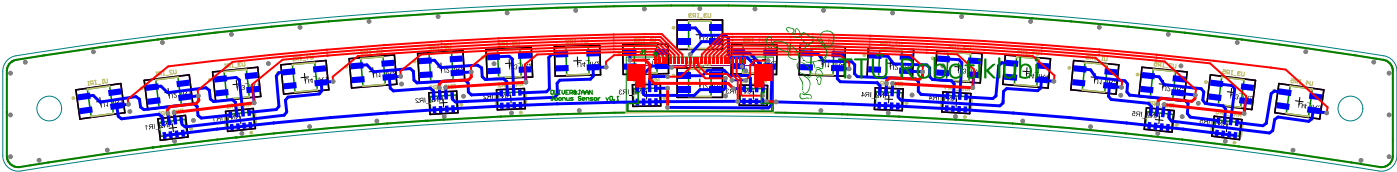
C

C

D

D





OLIVERJANN  
Joikus sensor v0.1



TTÜ Robotiklubi



